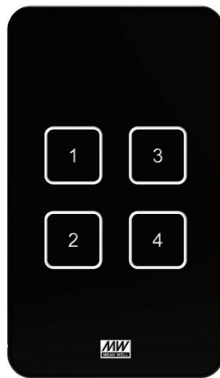
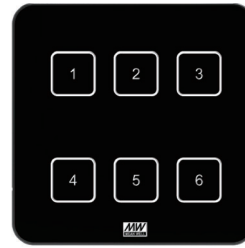




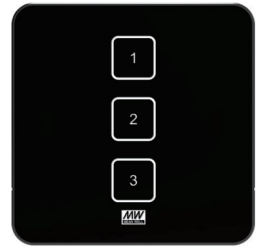
6 keys-U type



4 keys-U type



6 keys-E type



3 keys-E type

## DALI-2 Touch Panel (Push Button)



### ■ Features

- DALI-2 certified touch panel
- Compliant with IEC-62386-301 push button
- Compatible for all DALI-2 devices and controllers
- Powered by DALI Bus
- Configurable functionality via MEAN WELL DLC-02 software
- Each button can trigger multiple modes:  
Short Click/Double Click/Long Press, to trigger scene or grouping functions
- Backlight brightness adjustable
- Touch panel volume adjustable
- 2 years warranty

### ■ Applications

- Office lighting
- Commercial lighting
- Warehouse lighting
- Home automation
- Luxury villa lighting

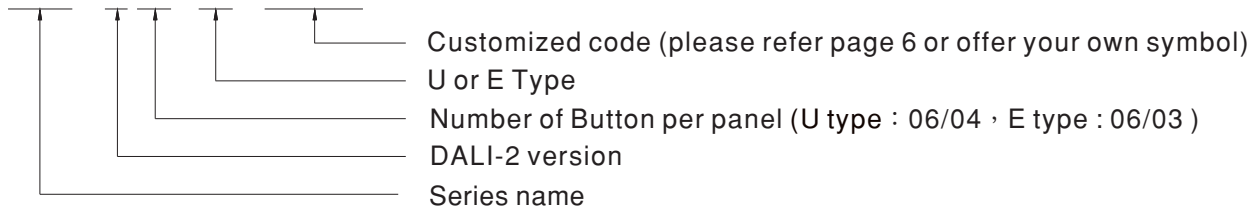
### ■ Description

The DTP-2XX series compliant with DALI IEC62386 standard as a DALI-2 input device, it is powered by the DALI bus and has a variety of buttons. It designs with a tempered glass and a sliding cover. The cover is easy to install and can also provide customized laser-engraved symbols. There is a built-in toggle switch to adjust the button backlight and volume, allowing users to customize settings according to their needs.

All touch panel functions can be set through MEAN WELL DLC-02 DALI lighting controller software after scanning the devices installed on the DALI Bus, the functions of touch panel buttons can be set according to the customer's lighting scene needs. This touch panel can be used with the MEAN WELL DLC-02 DALI controller, LED power supply, and various DALI sensors to form a DALI-2 digital lighting system, which can control the on/off, color temperature, color, brightness, scene, grouping, scheduling, and various event adjustments, thus meeting most lighting control needs. If you need a DALI digital lighting solution, please contact MEAN WELL sales representative.

### ■ Model Encoding

DTP - 2 06 - U -



Type	Functions	Remark
Blank	DALI-2 Touch panel with digit printing	Standard
<input type="text"/> <input type="text"/>	Customer code for customized function symbol (size:16.5*16.5 mm <sup>2</sup> )	By request

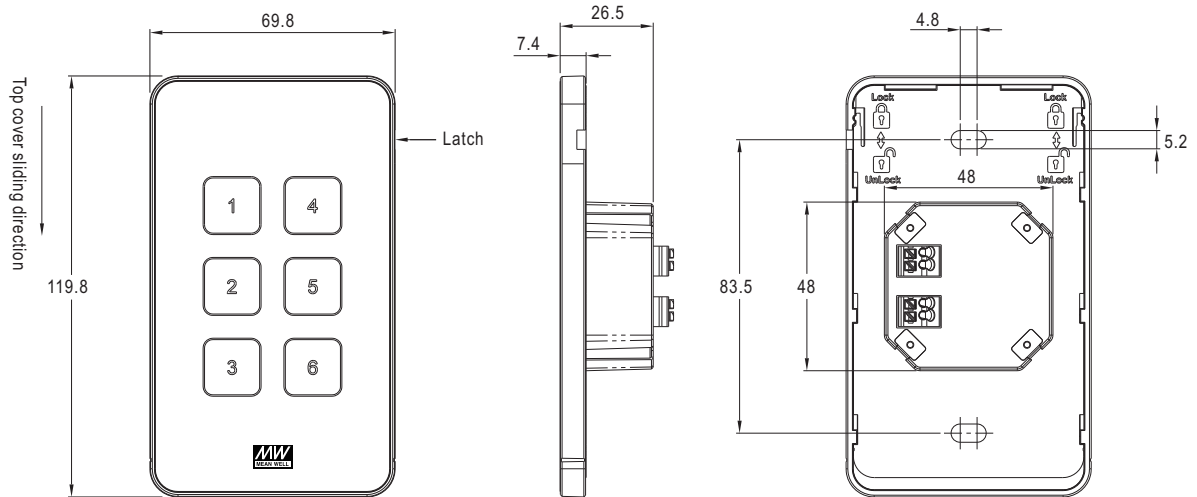
**Specification**

Model		DTP-206-U	DTP-204-U	DTP-206-E	DTP-203-E
Keys of Button		6	4	6	3
Input	DALI bus	DALI bus 9.5V~22.5V DC according to IEC62386 regulation			
	Current consumption	< 6mA at 16VDC			
	Signal	DALI-2			
Function	DALI standard	Meet DALI IEC62386-101、103、301			
	Button event	Short click、Double click、Long press			
	Backlight	Adjustable by a built-in toggle switch with 100%、50%、0%			
	Volume	Adjustable by a built-in toggle switch with 100%、50%、0%			
Environment	Operating Temp.	-20 ~ +50°C			
	Operating humidity	10 ~ 93% RH ; refer to EN50090-2-2			
	Storage Temperature & Humidity	-25 ~ +70°C, 10 ~ 95% RH			
Safety & EMC	Standard	IEC62386-101、103、301; BS EN/EN61347-1/2-11			
	Withstand Voltage	3000VAC			
	EMC	BS EN/EN55015 ; BS EN/EN61547 ; FCC Part 15			
Others	Wire size	0.5~1.5 mm <sup>2</sup> (AWG 20~16)			
	Size/unit(L*W*H)	120 * 70 * 26.5mm		86 * 86 * 26.5mm	
	Packing	0.23Kg ; 24pcs / 6Kg / 1.30CUFT		0.2Kg ; 24pcs / 6Kg / 1.30CUFT	
	Material	ABS+PC(Black)			
Remark	1. MEAN WELL DLC-02 controller, each channel can be connected up to 16 input devices but the maximum number of input devices that can be connected is determined by the connected DALI bus power and operating current of the input device. For example, when 64(Lamp) LED drivers (2mA) are connected, the maximum remaining applicable current on the DALI bus is 250mA-(2mA x 64) = 122mA. If the current requirement of the input device is 10mA, then up to 12 input devices can be connected, DLC-02 manual, please refer <a href="https://www.meanwell.com/Upload/PDF/DLC-02-E.pdf">https://www.meanwell.com/Upload/PDF/DLC-02-E.pdf</a> 2. RCM is on a voluntary basis .				

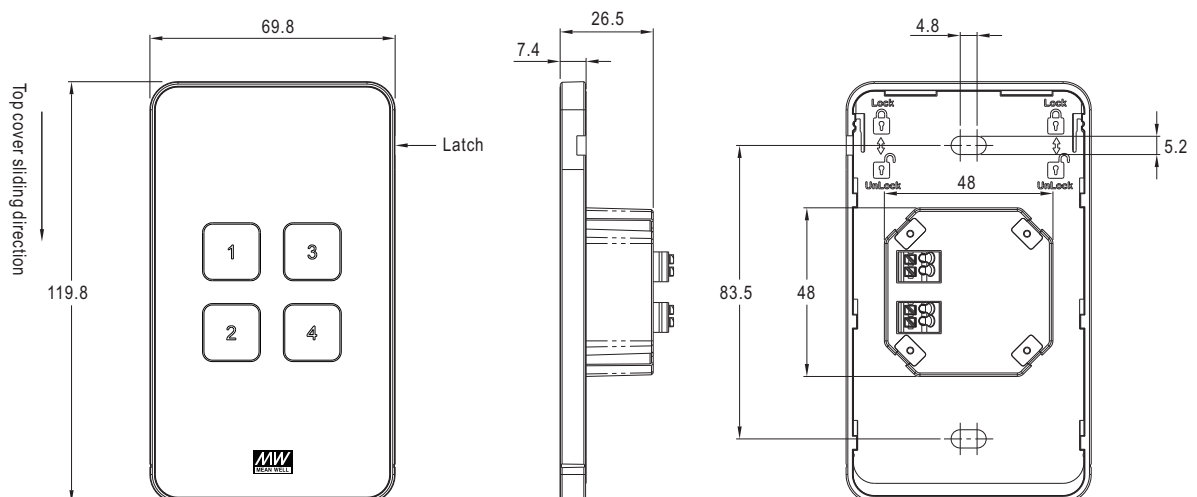
## Mechanical Specification

U Type :

6 Keys---Order No. : PLADTP-206-U

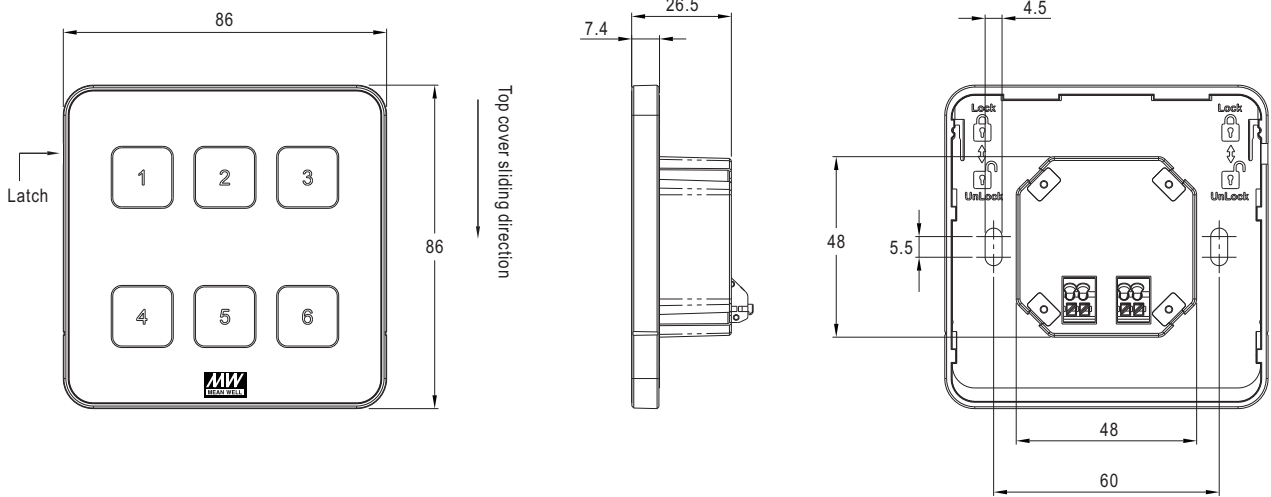


4 Keys---Order No. : PLADTP-204-U

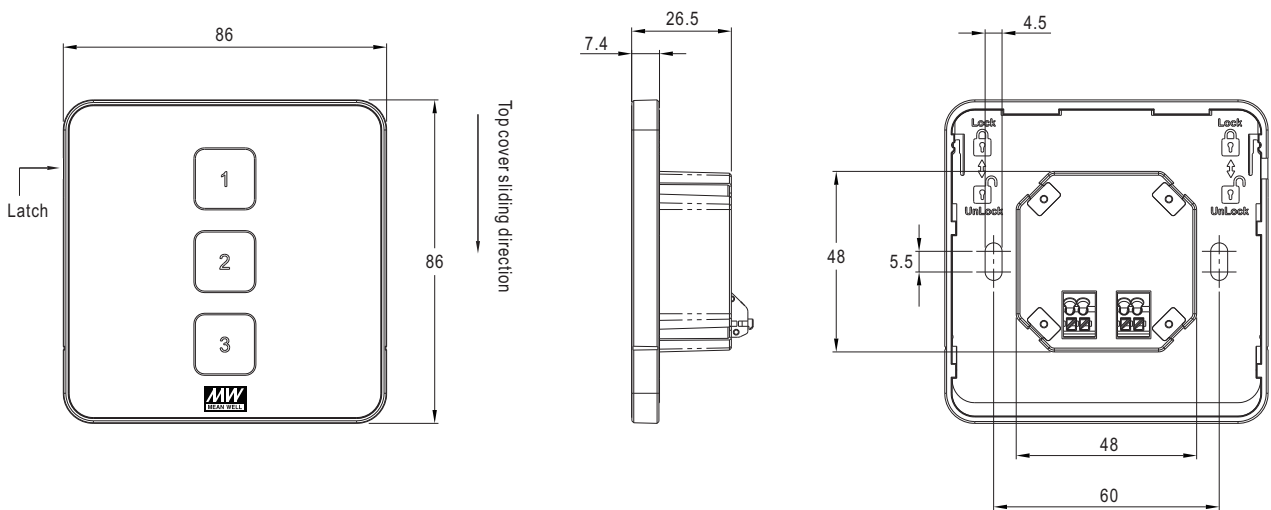


E Type :

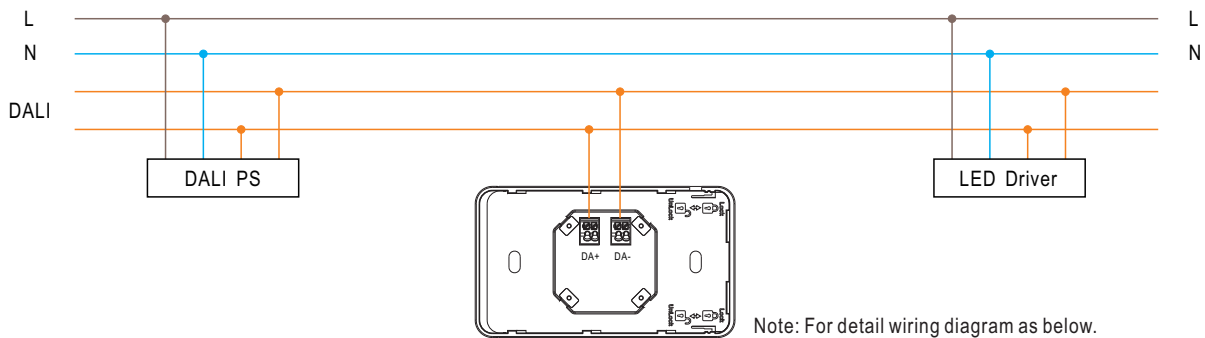
6-Keys---Order No. : PLADTP-206-E



3-Keys---Order No. : PLADTP-203-E

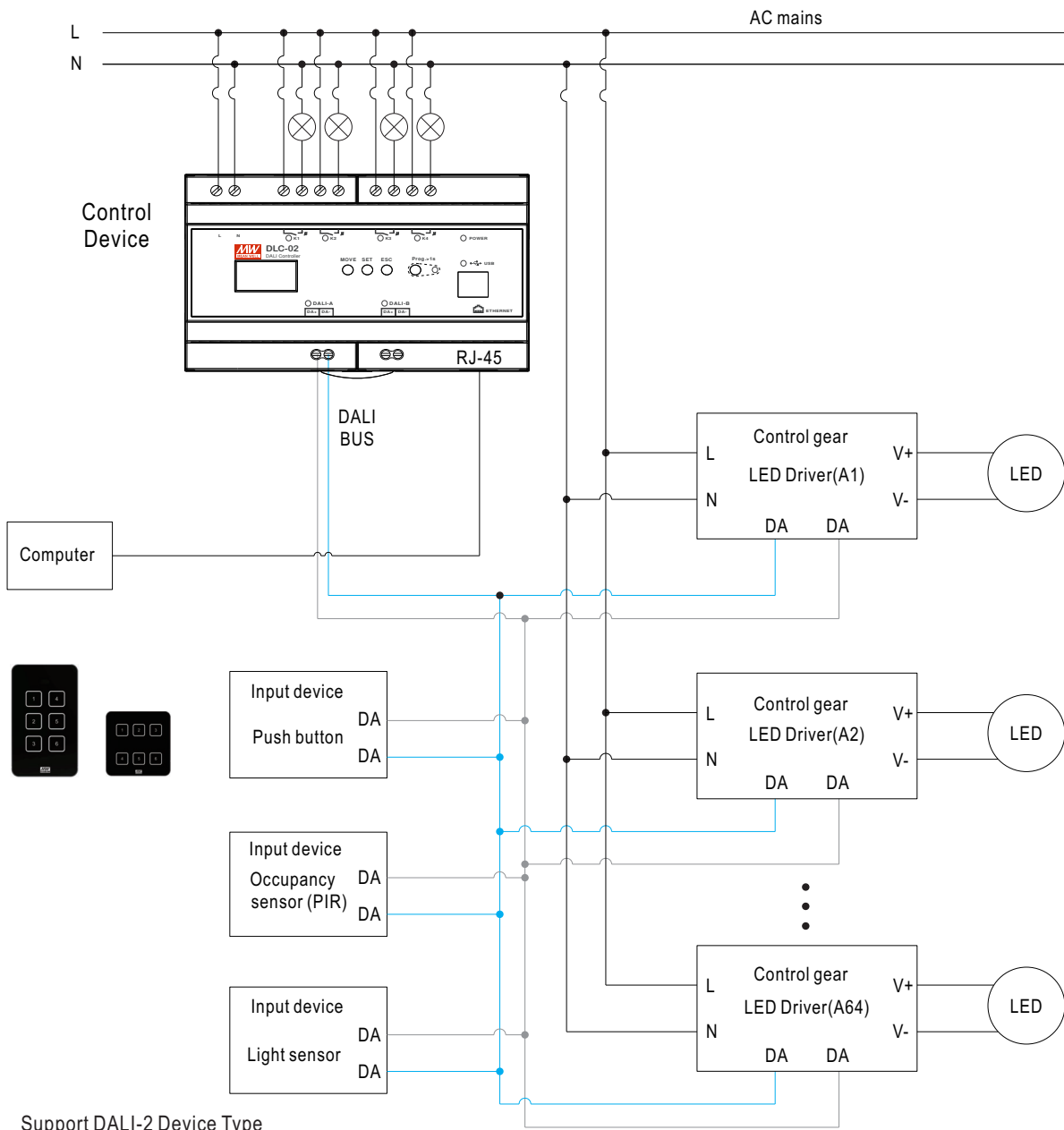


■ Powered by DALI Bus Wiring Diagram



Note: For detail wiring diagram as below.

■ DALI Digital Lighting Application Wiring Diagram (MEAN WELL DLC-02 built-in with DALI power)



Support DALI-2 Device Type

■ Customized Button Symbol (Optional)

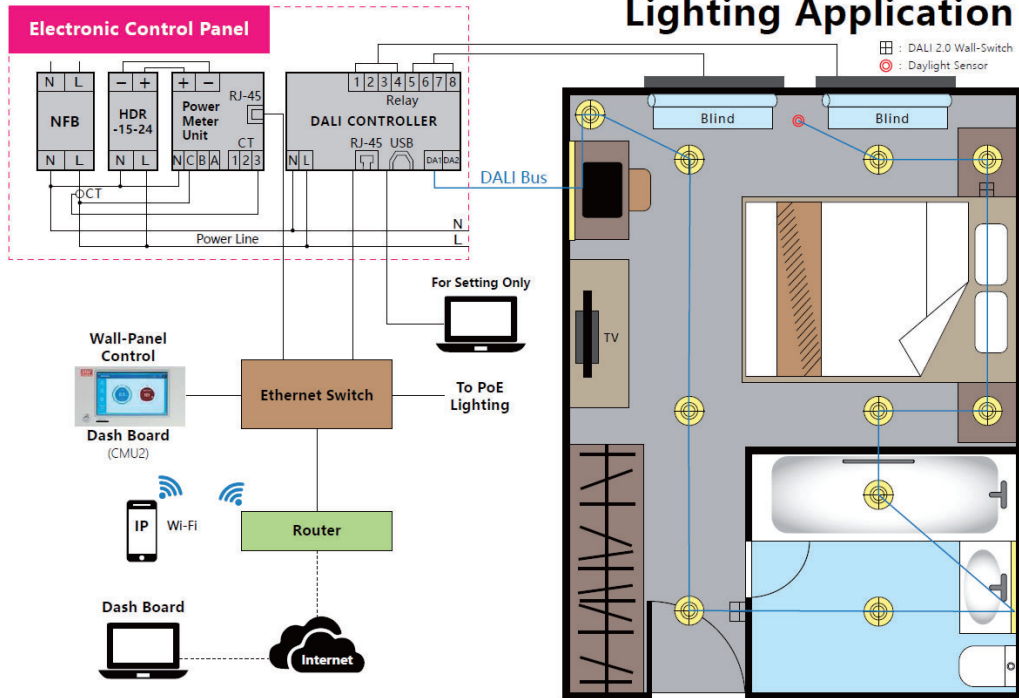
Customers can customize button symbols according to actual needs. Please refer the symbols below or provide your own symbols, then our factory can produce by laser engraving. Please contact sales for detailed customization procedures.

(Size must be < 16.5\*16.5 mm<sup>2</sup>)



■ DALI digital lighting application

## Hotel Room Lighting Application



## Office Lighting Application

